



**FEATURES**

- Asynchronous serial data transmission
- Automatic baud-rate fitting up to 115.2 Kbps
- Distance up to 1200 m
- Point to point connection or multipoint connection up to 32 modules
- DC or AC power supply
- Galvanic isolation on all ways
- USB cable on front side
- UL / CE mark
- Suitable for DIN rail mounting in compliance with EN-50022

**GENERAL DESCRIPTION**

The device DAT3580-USB is an isolated interface converter between USB port and asynchronous serial lines RS485 or RS422 that guarantees a full isolation between power supply, USB and serial line RS-485 or 422 removes eventual ground-loop effects, allowing the use of the device even in the heavy environmental conditions.

It is designed to operate either on serial interface RS-422 full-duplex 4 wires or RS485 half-duplex 2 wires, with a baud-rate transmission up to 115.2 Kbps.

The transmission is asynchronous without settings of protocol, data format and baud rate.

The DAT 3580-USB is in compliance with the Directive UL 61010-1 for US market and with the Directive CSA C22.2 No 61010-1 for the Canadian market.

The device is housed in a rough self-extinguishing plastic container which, thanks to its thin profile of 22.5 mm only, allows a high density mounting on EN-50022 standard DIN rail.

**USER INSTRUCTIONS**

Before to install the device, please read the "Installation Instruction" section.

The device DAT3580-USB converts the serial transmission from USB to RS-485 (2 wires) or RS-422 (4 wires) as follows.

The data incoming from the line TX of USB port are converted and transmitted to the terminals D-E of RS-485 and RS-422.

The data incoming from the line RX of RS-485 (terminal D and E) or RS-422 (terminal B and C) are converted and transmitted to the terminal RX of USB port.

The transmission of the signal follows the logic state of every single bit, then there is not necessary to set the protocol, the data format and the baud-rate.

When the data transmission from the USB is off, the RS-485 driver is in the receive condition (high impedance); when the data transmission from the USB goes on the RS-485 driver switch immediately to the transmission condition (low impedance). The low impedance is kept for about 150 us, then the line returns automatically in high impedance (receiver).

**TECHNICAL SPECIFICATIONS (Typical @ 25 °C and in the nominal conditions)**

<p><b>In compliance with standard</b></p> <p style="text-align: center;"><b>USB 2.0, RS485 and RS422</b></p>		<p><b>ISOLATION</b></p> <p>Power supply / USB 2000 Vac, 50 Hz, 1 min.          Power supply / RS485-422 2000 Vac, 50 Hz, 1 min.          USB / RS485-422 2000 Vac, 50 Hz, 1 min.</p>	
<p><b>RS485 Interface</b></p> <p>Baud-rate up to 115.2 Kbps</p> <p>Max. distance / baud-rate ratio (recommended) (1)          1.2 Km – 4000 ft @ 38400 bps          2 Km – 6560 ft @ 19200 bps          3 Km – 9840 ft @ 9600 bps          4 Km – 13100 ft @ 4800 bps          5 Km – 16400 ft @ 2400 bps          7 Km – 23000 ft @ 1200 bps</p> <p>Number of modules in multipoint up to 32</p> <p>Switching time TX/RX (RS485) 150 us.</p> <p>Internal terminator resistance (optional) 120 Ohm</p>		<p><b>ENVIRONMENTAL CONDITIONS</b></p> <p>Operative Temperature -20°C .. +60°C          UL Operative Temperature -10°C .. +40°C          Storage Temperature -40°C.. +85°C          Humidity (not condensed) 0 .. 90 %          Maximum Altitude 2000 m          Installation Indoor          Category of installation II          Pollution Degree 2</p>	
<p><b>POWER SUPPLY</b></p> <p>Power supply DC voltage 10 .. 30 Vdc          Reverse polarity protection 60 Vdc max          Power supply AC voltage 9 ÷ 18 Vac          (18 ÷ 30 Vac optional)          Current consumption 35 mA max.</p>		<p><b>MECHANICAL SPECIFICATIONS</b></p> <p>Material Self-extinguish plastic          IP Code IP20          Wiring wires with diameter 0.8÷2.1 mm<sup>2</sup> /AWG 14-18          Tightening Torque 0.5 N m          Mounting in compliance with DIN rail standard EN-50022          Weight about 160 g.</p>	
<p><b>Connection</b></p> <p>USB USB connector type "A" ( cable length ~ 1.8 mt. )          RS-485/422 removable screw terminals</p>		<p><b>CERTIFICATIONS</b></p> <p><b>EMC ( for industrial environments)</b>          Immunity EN 61000-6-2          Emission EN 61000-6-4</p> <p><b>UL</b>          US Standard UL 61010-1          Canadian Standard CSA C22.2 No 61010-1          CCN NRAQ/NRAQ7          Typology Open Type device          Classification Industrial Control Equipment          File Number E352854</p>	
<p>(1) – The maximum distance depends of: number of devices connected, type of cabling, noises, etc...</p>			

## INSTALLATION INSTRUCTIONS

The DAT 3580-USB is suitable for fitting to DIN rails in the vertical position. For optimum operation and long life follow these instructions:

**When the devices are installed side by side it may be necessary to separate them by at least 5 mm in the following case:**

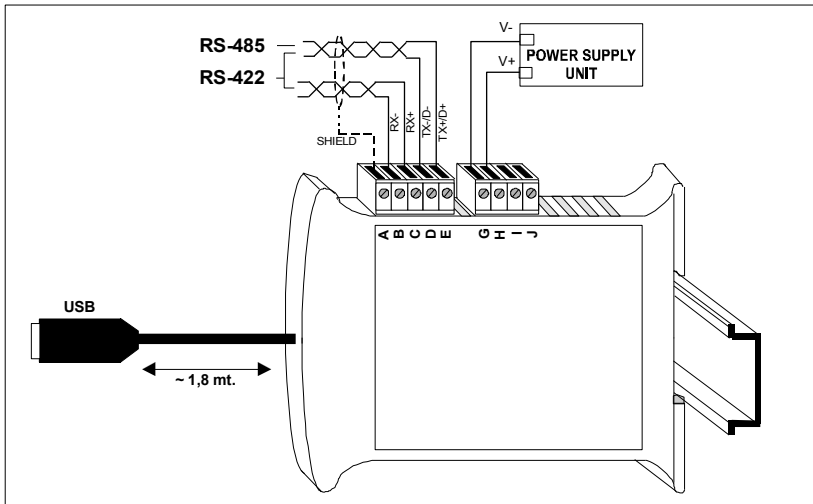
- If panel temperature exceeds 45°C and high power supply value (> 27 Vdc).

Make sure that sufficient air flow is provided for the device avoiding to place raceways or other objects which could obstruct the ventilation slits. Moreover it is suggested to avoid that devices are mounted above appliances generating heat; their ideal place should be in the lower part of the panel.

Install the device in a place without vibrations.

Moreover it is suggested to avoid routing conductors near power signal cables (motors, induction ovens, inverters, etc...) and to use shielded cable for connecting signals.

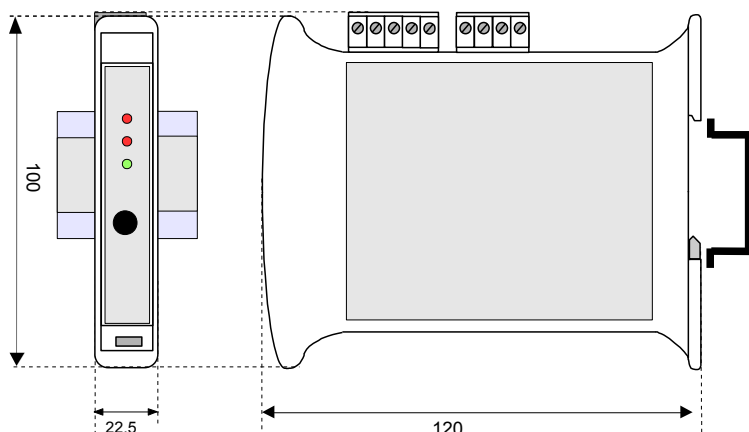
## CABLING



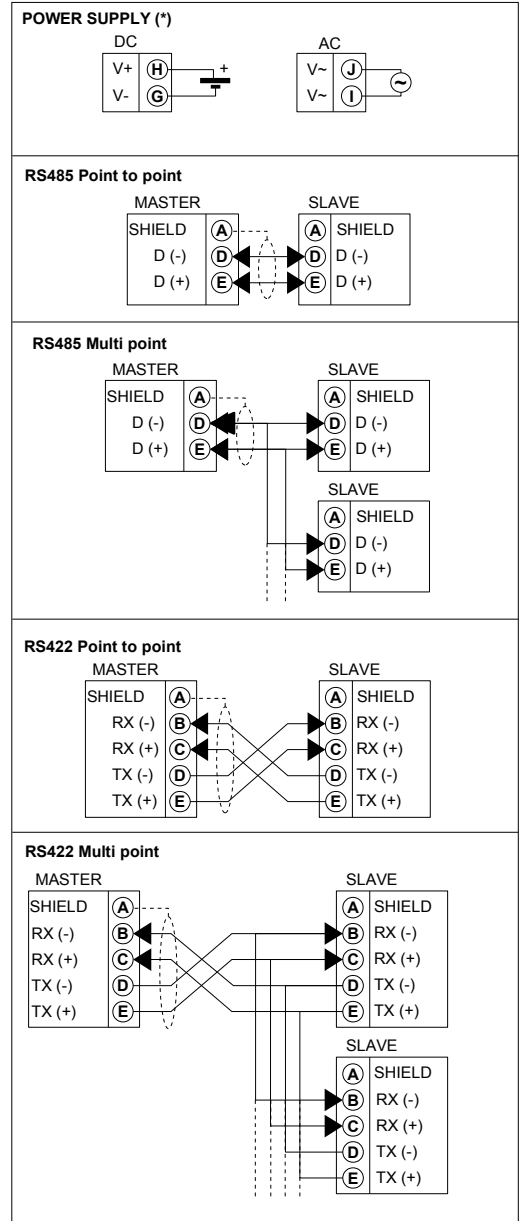
## LIGHT SIGNALLING

LED	COLOUR	STATE	DESCRIPTION
PWR	GREEN	ON	Device powered
		OFF	Device not powered
TX	RED	RAPID BLINK	Data transmission from the USB port (the blink frequency depends to the baud-rate)
		OFF	No communication in progress
RX	RED	RAPID BLINK	Data reception on the RS485/422 port (the blink frequency depends to the baud-rate)
		OFF	No communication in progress

## DIMENSIONS (mm)



## WIRING



(\* Note: for UL installation the device must be powered using a power supply unit classified NEC class 2 or SELV

## ISOLATION STRUCTURE



## HOW TO ORDER

In phase of order it is necessary to specify the type of interface (RS485 or RS422) and, if required, the 24Vac power supply option.

DAT 3580-USB / 2W / 24

Type of interface:  
2W: RS-485 (2 wires)  
4W: RS-422 (4 wires)

AC power supply option:  
24 : 24Vac (18+30Vac)

■ = Requested  
□ = Optional