

# Product data sheet

Specifications



## IO analog module, Modicon TM3, 4 inputs, 2 output, spring, 24V DC

TM3AM6G

### Main

Range of Product	Modicon TM3
Product or Component Type	Input/output analog module
Range compatibility	Modicon M221 Modicon M241 Modicon M251 Modicon M262
Analogue input number	4
Analogue input type	current 4...20 mA current 0...20 mA voltage 0...10 V voltage - 10...10 V
Analogue output number	2
Analogue output type	Current 4...20 mA Current 0...20 mA Voltage 0...10 V Voltage - 10...10 V

### Complementary

Analogue input resolution	12 bits 11 bits + sign
Permissible continuous overload	13 V voltage 40 mA current
Input impedance	$\leq 50$ Ohm current $\geq 1$ MOhm voltage
Analogue output resolution	12 bits 11 bits + sign
LSB value	2.44 mV 0...10 V voltage 4.88 mV - 10...10 V voltage 4.88 $\mu$ A 0...20 mA current 3.91 $\mu$ A 4...20 mA current
Load type	Resistive
Load impedance ohmic	1 kOhm voltage 300 Ohm current
Stabilisation time	1 ms
Conversion time	1 ms + 1 ms per channel + 1 controller cycle time
Sampling duration	1 ms 10 ms
Absolute accuracy error	+/- 1 % of full scale +/- 0.2 % of full scale at 77 °F (25 °C)

<b>Temperature Drift</b>	+/- 0.01 %FS/°C
<b>Repeat accuracy</b>	+/-0.5 %FS input +/-0.5 %FS output
<b>Non-linearity</b>	+/- 0.2 %FS
<b>Output ripple</b>	20 mV
<b>Cross talk</b>	<= 1 LSB
<b>[Us] rated supply voltage</b>	24 V DC
<b>Supply voltage limits</b>	20.4...28.8 V
<b>Type of cable</b>	Twisted shielded pairs cable <98.43 ft (30 m) input/output
<b>Current consumption</b>	45 mA 5 V DC via bus connector no load 55 mA 5 V DC via bus connector full load 55 mA 24 V DC via external supply no load 100 mA 24 V DC via external supply full load
<b>Local signalling</b>	for PWR 1 LED (green)
<b>Electrical connection</b>	10 x 1.5 mm <sup>2</sup> removable spring terminal block pitch 3.81 mm for inputs 10 x 1.5 mm <sup>2</sup> removable spring terminal block pitch 3.81 mm for inputs, outputs and supply
<b>Insulation</b>	Between input and supply 1500 V AC Between input and internal logic 500 V AC Between output and supply 1500 V AC Between output and internal logic 500 V AC
<b>Marking</b>	CE
<b>Surge withstand</b>	1 kV power supply common mode EN/IEC 61000-4-5 0.5 kV power supply differential mode EN/IEC 61000-4-5 1 kV I/O common mode EN/IEC 61000-4-5 0.5 kV I/O differential mode EN/IEC 61000-4-5
<b>Mounting support</b>	Top hat type TH35-15 rail IEC 60715 Top hat type TH35-7.5 rail IEC 60715 plate or panel with fixing kit
<b>Height</b>	3.54 in (90 mm)
<b>Depth</b>	2.76 in (70 mm)
<b>Width</b>	0.93 in (23.6 mm)
<b>Net Weight</b>	0.22 lb(US) (0.1 kg)

## Environment

<b>Standards</b>	EN/IEC 61131-2
<b>Product Certifications</b>	CE UKCA RCM EAC cULus cULus HazLoc
<b>Resistance to electrostatic discharge</b>	8 kV in air EN/IEC 61000-4-2 4 kV on contact EN/IEC 61000-4-2
<b>Resistance to electromagnetic fields</b>	9.14 V/m (10 V/m) 80 MHz...1 GHz EN/IEC 61000-4-3 2.74 V/m (3 V/m) 1.4 GHz...2 GHz EN/IEC 61000-4-3 0.91 V/m (1 V/m) 2 GHz...3 GHz EN/IEC 61000-4-3
<b>Resistance to magnetic fields</b>	98.43 A/m (30 A/m) EN/IEC 61000-4-8
<b>Resistance to fast transients</b>	1 kV EN/IEC 61000-4-4 I/O)
<b>Resistance to conducted disturbances</b>	10 V 0.15...80 MHz EN/IEC 61000-4-6 3 V spot frequency (2, 3, 4, 6.2, 8.2, 12.6, 16.5, 18.8, 22, 25 MHz) Marine specification (LR, ABS, DNV, GL)
<b>Electromagnetic emission</b>	Radiated emissions 40 dBµV/m QP class A 10 m)30...230 MHz EN/IEC 55011 Radiated emissions 47 dBµV/m QP class A 10 m)230...1000 MHz EN/IEC 55011
<b>Immunity to microbreaks</b>	10 ms
<b>Ambient Air Temperature for Operation</b>	14...131 °F (-10...55 °C) horizontal installation 14...95 °F (-10...35 °C) vertical installation

<b>Ambient Air Temperature for Storage</b>	-13...158 °F (-25...70 °C)
<b>Relative humidity</b>	10...95 %, without condensation in operation) 10...95 %, without condensation in storage)
<b>IP Degree of Protection</b>	IP20
<b>Pollution degree</b>	2
<b>Operating altitude</b>	0...6561.68 ft (0...2000 m)
<b>Storage altitude</b>	0.00...9842.52 ft (0...3000 m)
<b>Vibration resistance</b>	3.5 mm 5...8.4 Hz DIN rail 3 gn 8.4...150 Hz DIN rail
<b>Shock resistance</b>	15 gn 11 ms

## Ordering and shipping details

<b>Category</b>	22533-M2XX PLC & ACCESSORIES
<b>Discount Schedule</b>	MSX
<b>GTIN</b>	3606480648953
<b>Returnability</b>	Yes
<b>Country of origin</b>	JP

## Packing Units

<b>Unit Type of Package 1</b>	PCE
<b>Number of Units in Package 1</b>	1
<b>Package 1 Height</b>	2.95 in (7.5 cm)
<b>Package 1 Width</b>	4.92 in (12.5 cm)
<b>Package 1 Length</b>	4.13 in (10.5 cm)
<b>Package 1 Weight</b>	6.88 oz (195.0 g)
<b>Unit Type of Package 2</b>	S02
<b>Number of Units in Package 2</b>	9
<b>Package 2 Height</b>	5.91 in (15 cm)
<b>Package 2 Width</b>	11.81 in (30 cm)
<b>Package 2 Length</b>	15.75 in (40 cm)
<b>Package 2 Weight</b>	5.06 lb(US) (2.294 kg)
<b>Unit Type of Package 3</b>	P12
<b>Number of Units in Package 3</b>	144
<b>Package 3 Height</b>	29.53 in (75 cm)
<b>Package 3 Width</b>	47.24 in (120 cm)
<b>Package 3 Length</b>	31.50 in (80 cm)
<b>Package 3 Weight</b>	101.41 lb(US) (46 kg)

## Offer Sustainability

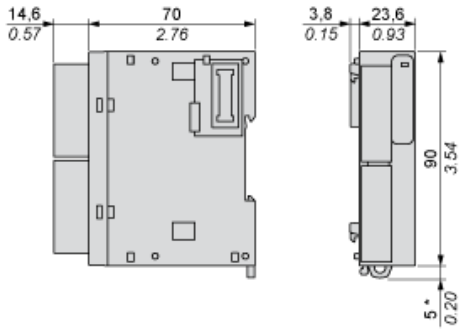
<b>Sustainable offer status</b>	Green Premium product
<b>California proposition 65</b>	WARNING: This product can expose you to chemicals including: Lead and lead compounds, which is known to the State of California to cause cancer and birth defects or other reproductive harm. For more information go to <a href="http://www.P65Warnings.ca.gov">www.P65Warnings.ca.gov</a>
<b>REACH Regulation</b>	<a href="#">REACH Declaration</a>
<b>EU RoHS Directive</b>	Pro-active compliance (Product out of EU RoHS legal scope) <a href="#">EU RoHS Declaration</a>

<b>Toxic heavy metal free</b>	Yes
<b>Mercury free</b>	Yes
<b>China RoHS Regulation</b>	<a href="#">China RoHS declaration</a>
<b>RoHS exemption information</b>	Yes
<b>Environmental Disclosure</b>	<a href="#">Product Environmental Profile</a>
<b>Circularity Profile</b>	<a href="#">End of Life Information</a>
<b>WEEE</b>	The product must be disposed on European Union markets following specific waste collection and never end up in rubbish bins.
<b>PVC free</b>	Yes

Dimensions

---

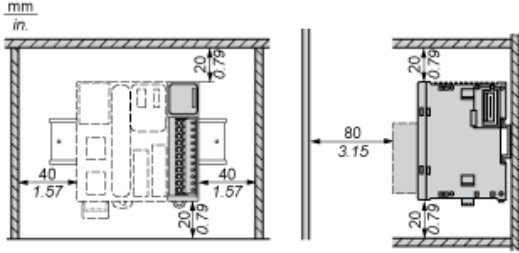
mm  
in.



(\*) 8.5 mm/0.33 in when the clamp is pulled out.

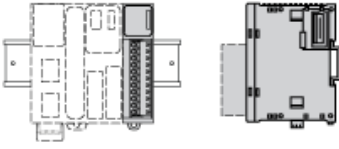
Spacing Requirements

---

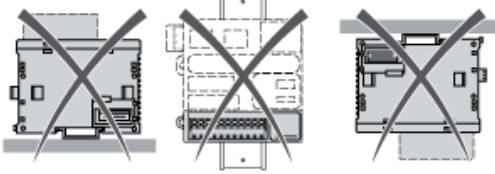


**Mounting on a Rail**

---

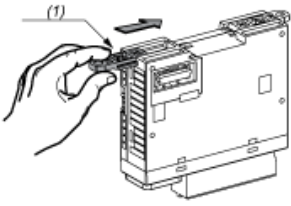


**Incorrect Mounting**



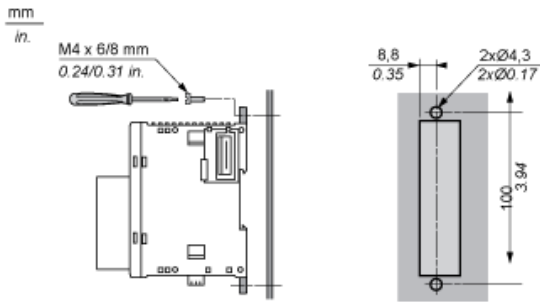
**Mounting on a Panel Surface**

---



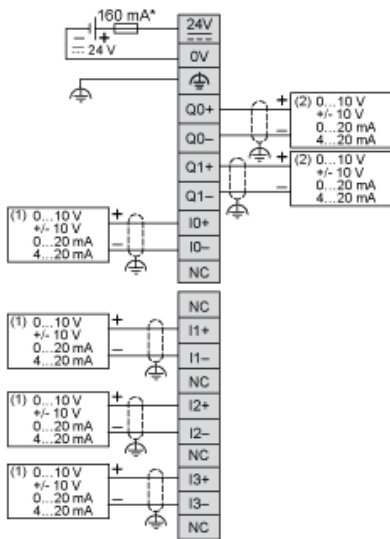
(1) Install a mounting strip

**Mounting Hole Layout**



**Analogue Mixed I/O Module**

**Wiring Diagram (Current / Voltage)**



- (\*) Type T fuse
- (1) Current/Voltage analog output device
- (2) Current/Voltage analog input device

**Recommended replacement(s)**